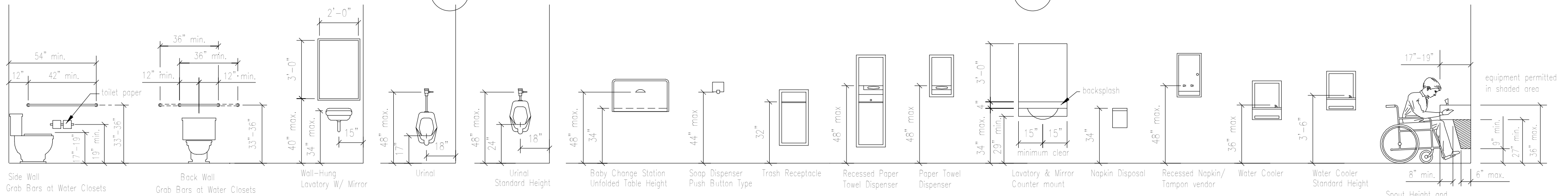


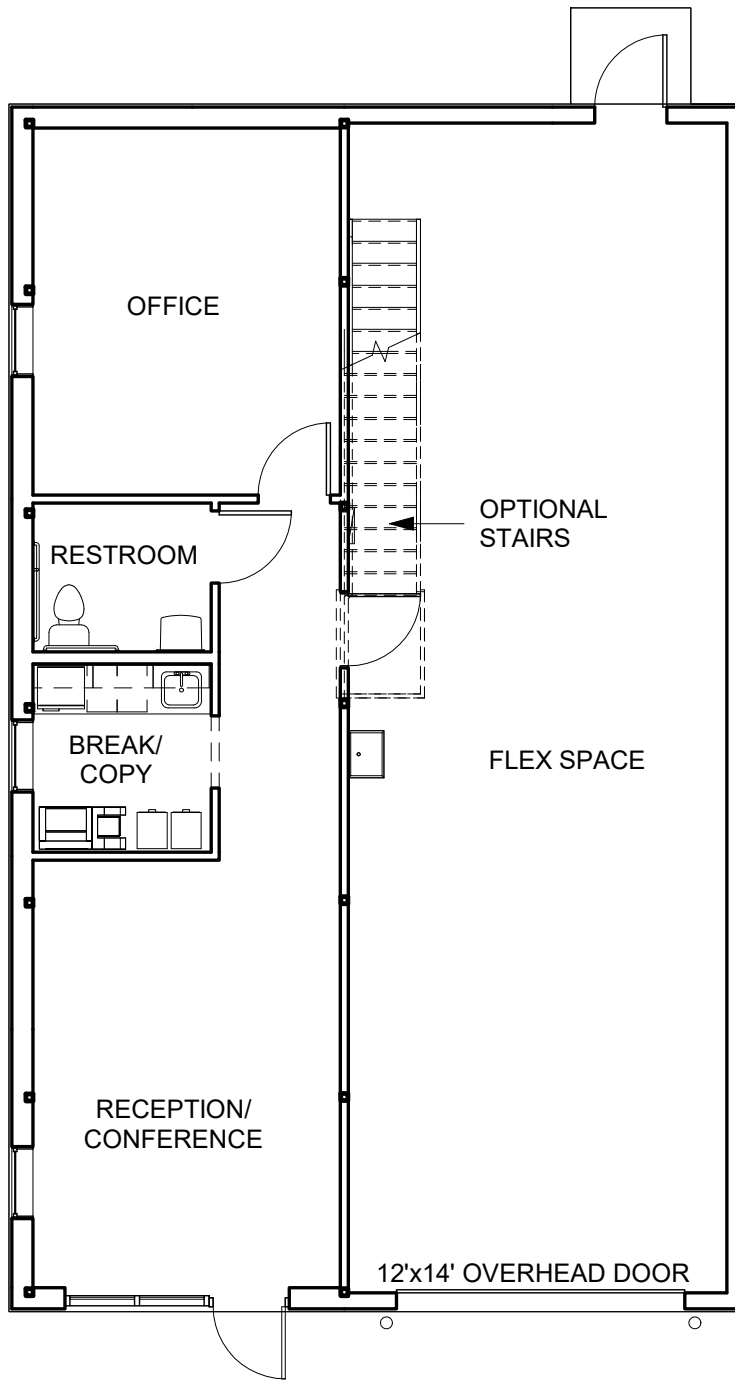
No.	Description	Date



FIXTURE MOUNTING HEIGHTS FOR THE DISABLED (ADA)

NOTE:
 1 - ALL INTERIOR DOORS TO BE 36"x84"
 2 - CONSTRUCTION TYPE IIB (2015 IBC)
 3 - ALL DOOR HARDWARE TO BE ACCESSIBLE COMPLIANT.
 4 - ALL PLUMBING FIXTURES TO BE ACCESSIBLE COMPLIANT
 5 - ALL DOOR DOORS TO FITTED WITH LEVER HANDLES THAT MEET ACCESSIBILITY REQUIREMENTS.
 6-GC TO INSTALL SOAP DISPENSER AND PAPER TOWEL DISPENSER IN RESTROOM TO MEET ADA REQUIREMENTS

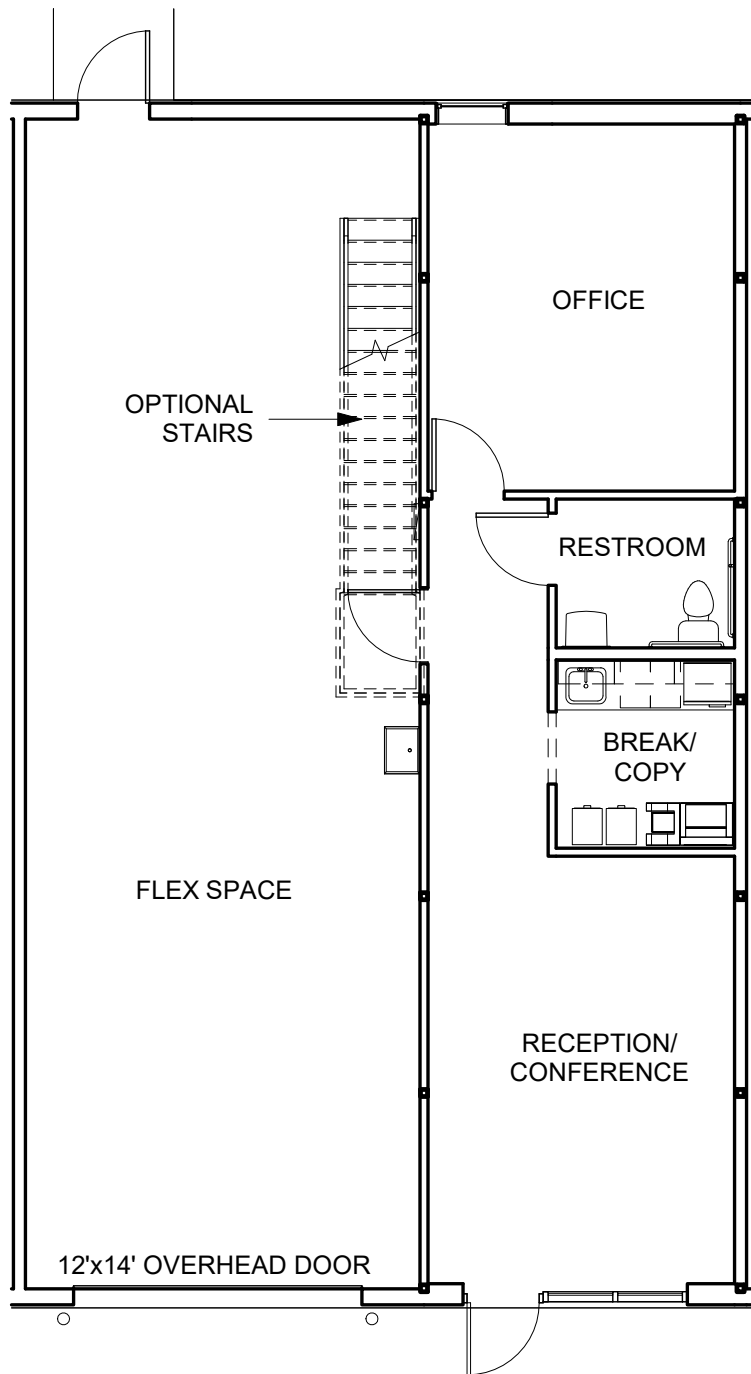
8/9/2023 12:14:53 PM



PHASE II
BUILDING 6 - SUITE 600

30' x 50' - 1500 SQ. FT.
 800 SQ. FT. - FLEX SPACE
 700 SQ. FT. - CONDITIONED OFFICE/BATH/BREAKROOM
 700 SQ. FT. OPTIONAL MEZZANINE

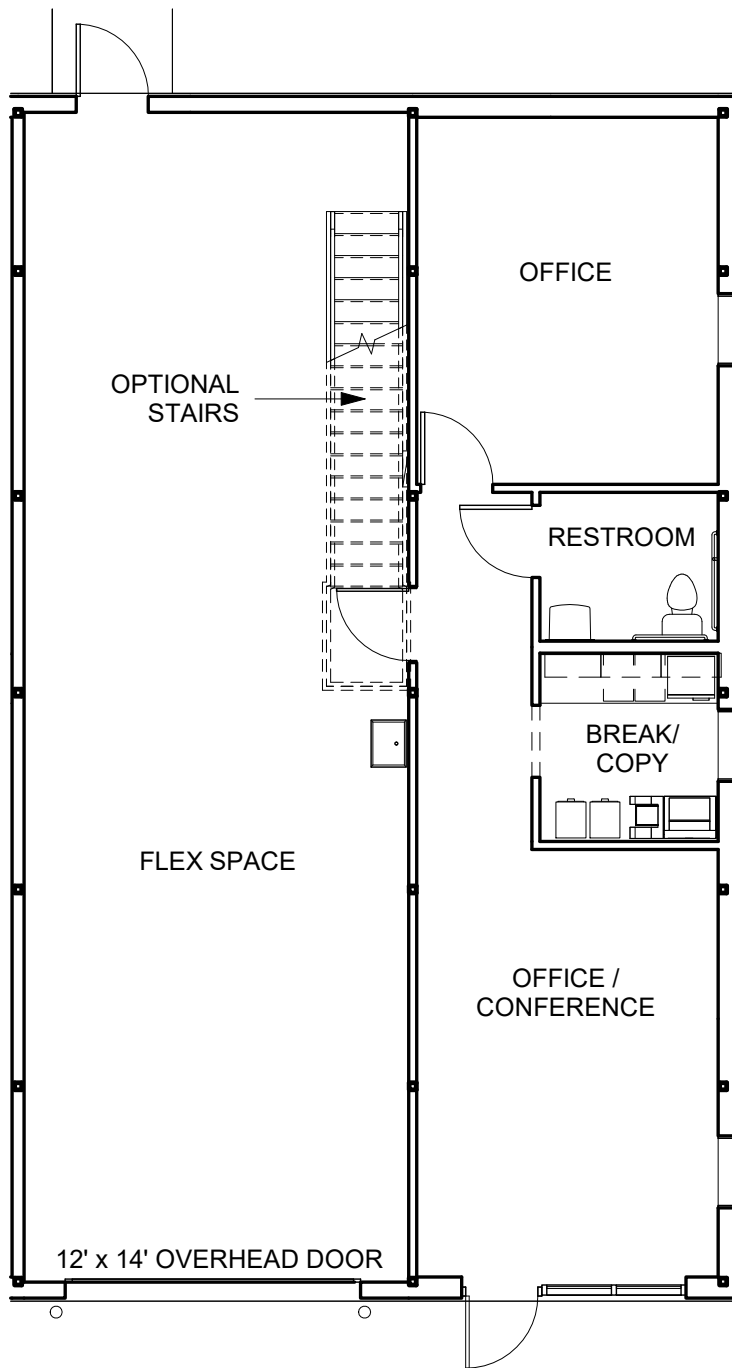




PHASE II BUILDING 6 - SUITE 610

30' x 50' - 1500 SQ. FT.
 800 SQ. FT. - FLEX SPACE
 700 SQ. FT. - CONDITIONED OFFICE/BATH/BREAKROOM
 700 SQ. FT. OPTIONAL MEZZANINE





PHASE II BUILDING 6 - SUITE 620

30' x 50' - 1500 SQ. FT.
 800 SQ. FT. - FLEX SPACE
 700 SQ. FT. - CONDITIONED OFFICE/BATH/BREAKROOM
 700 SQ. FT. OPTIONAL MEZZANINE

